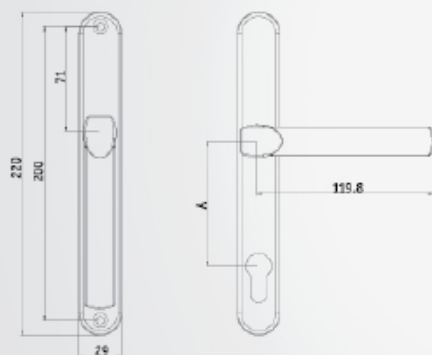


Door Handles

DH 309

The DH 309 lever / lever door handle set is easy to install and suitable for most door locking systems. Processed with Vita's superior coating technology, it offers a longer lifespan than many handles, and requires no maintenance.

- Made from aluminium
- Porcel-Coat™ finishing, provides 3000 hours of corrosion resistance in salt spray test.
- Fits all 92PZ handle centre doorbolt mechanisms
- Available in Matt Gold, Lava Brown



Model	Finishing	Steel Spindle		Detailed Specs	Packing
		Size (mm)	Length (mm)		
DH 309	Porcel-Coat™ (MG, LB)	7	85	<ul style="list-style-type: none"> • PZ Centre: 92 / 92 mm • PZ Centre: 85 / 85 mm 	1 pcs / box 25 boxes / carton *Screws included.
		8	100		
			115		
			125		
			140		
			150		
	160				

