



Fittings for Doors 21

## FEATURES & BENEFITS

- Lever/lever variant: non-handed
- Suitable for 92 PZ centres
- 30mm backplate width; blank backplate option available to special order
- Spring cassette option
- Supplied with 1x8mm spindle and screw pack included as standard for 70mm door thickness
- Die-cast Aluminium or Zinc Alloy
- 2 year surface finish guarantee thanks to durable PVD coating
- Colour co-ordinated screw heads
- Packed as 1 pair per box, 20 boxes per carton

DOOR HANDLE  
DH 311

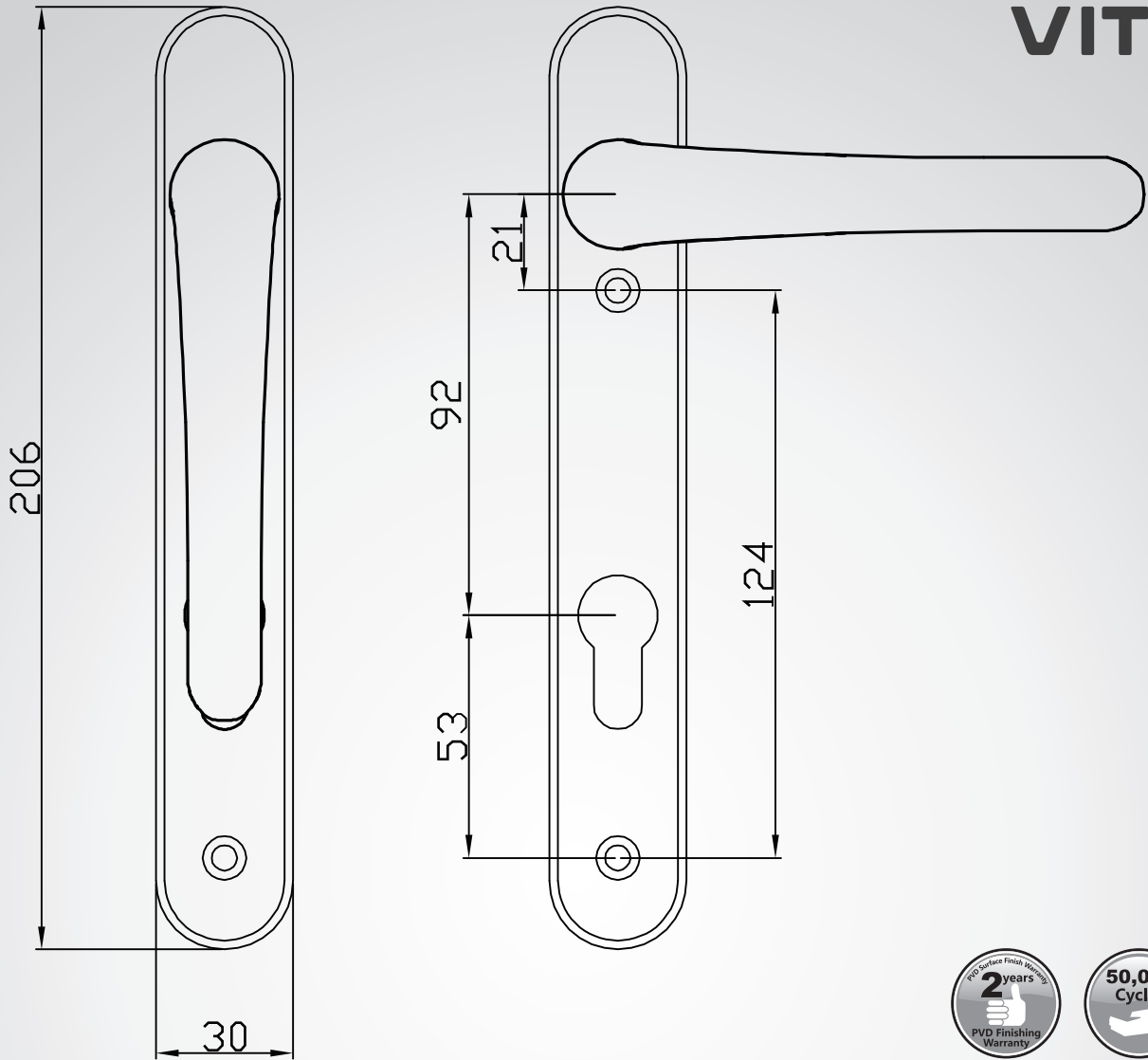
This lever/lever door handle compliments the Claymore series of window handles, hinges and Zinc framed letterplates. Designed for applications where a short backplate is required, the fixings are sited below the handle grip. The door handle is designed to incorporate two internal spring cassettes if required, to ensure a positive and precise operation.

**CLAYMORE**

Fitted to Last



VITA



Fittings for Doors 22



Colour	Coating Type	BS EN 1670 : 2007
White	Powder Coat	Grade 5 (480 hours)
Black	Powder Coat	Grade 5 (480 hours)
Polished Gold	Physical Vapour Deposition	Grade 5 (480 hours)
Polished Chrome	Physical Vapour Deposition	Grade 5 (480 hours)
Polished Chrome	Electro-Plating	Grade 4 (240 hours)
Smoked Chrome	Physical Vapour Deposition	Grade 5 (480 hours)
Satin Silver	Physical Vapour Deposition	Grade 4 (240 hours)

Spindle Pack	Content	Usage
Pack A	1*spindle 130mm 2*screws 85mm	For 65 mm to 70mm thick doors
Pack B	1*spindle 120mm 2*screws 75mm	For 58mm to 60mm thick doors
Pack C	1*spindle 105mm 2*screws 60mm	For 44mm Composite thick doors

**AVAILABLE COLOURS**

- White
- Black
- Polished Gold PVD
- Polished Chrome PVD
- Polished Chrome
- Smoked Chrome PVD
- Satin Silver PVD