



FEATURES & BENEFITS

- Lever/lever variant: non-handed
- 32mm backplate width; blank backplate option available
- Tested to PAS 23-1: 1999 Clause 6.11
- Die-cast Aluminium or Zinc Alloy
- 2 year surface finish guarantee thanks to durable PVD coating
- Porcel Coat offering a durable surface finish, exceeding 3,000 hours neutral salt spray when tested in accordance to BS EN 1670:2007
- Supplied with 1x8mm spindle and screw pack included as standard for 70mm door thickness
- Colour co-ordinated screw heads
- Packed as 1 pair per box, 20 boxes per carton



DOOR HANDLE
DH 312

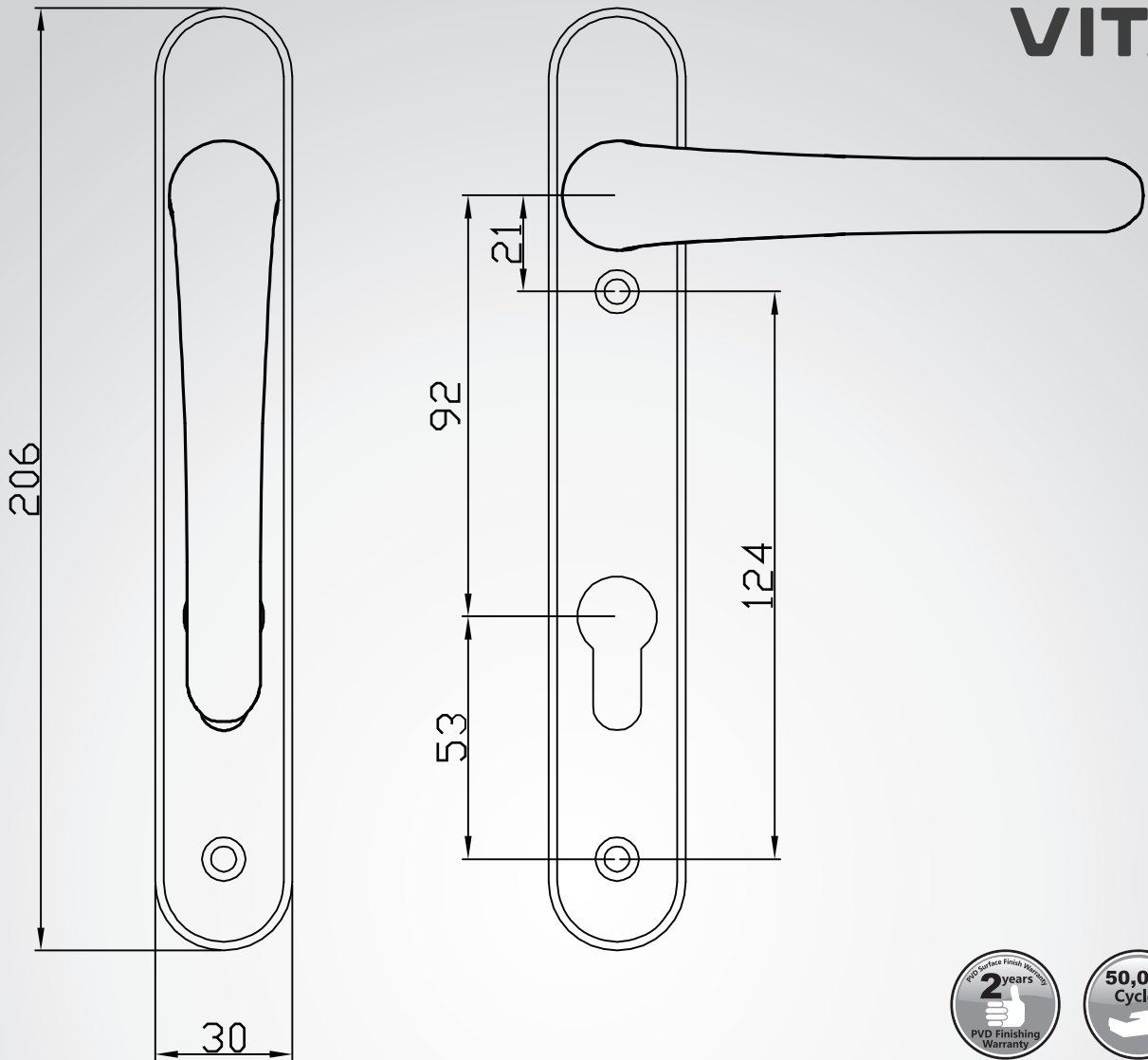
The Claymore Lever/Lever door handle compliments the Claymore series of window handles, hinges and Zinc-framed letterplates.

Designed for applications where a long backplate is required, the fixings are sited above and below the handle grip. Each handle set is supplied with two twin internal spring cassettes, to ensure a positive and precise operation.

CLAYMORE



VITA



Colour	Coating Type	BS EN 1670 : 2007
White	Powder Coat	Grade 5 (480 hours)
Black	Powder Coat	Grade 5 (480 hours)
Polished Gold	Physical Vapour Deposition	Grade 5 (480 hours)
Polished Chrome	Physical Vapour Deposition	Grade 5 (480 hours)
Polished Chrome	Electro-Plating	Grade 4 (240 hours)
Smoked Chrome	Physical Vapour Deposition	Grade 5 (480 hours)
Satin Silver	Physical Vapour Deposition	Grade 4 (240 hours)

AVAILABLE COLOURS

- White
- Black
- Polished Gold PVD
- Polished Chrome PVD
- Polished Chrome
- Smoked Chrome PVD
- Satin Silver PVD

Spindle Pack	Content	Usage
Pack A	1*spindle 130mm 2*screws 85mm	For 65 mm to 70mm thick doors
Pack B	1*spindle 120mm 2*screws 75mm	For 58mm to 60mm thick doors
Pack C	1*spindle 105mm 2*screws 60mm	For 44mm Composite thick doors