

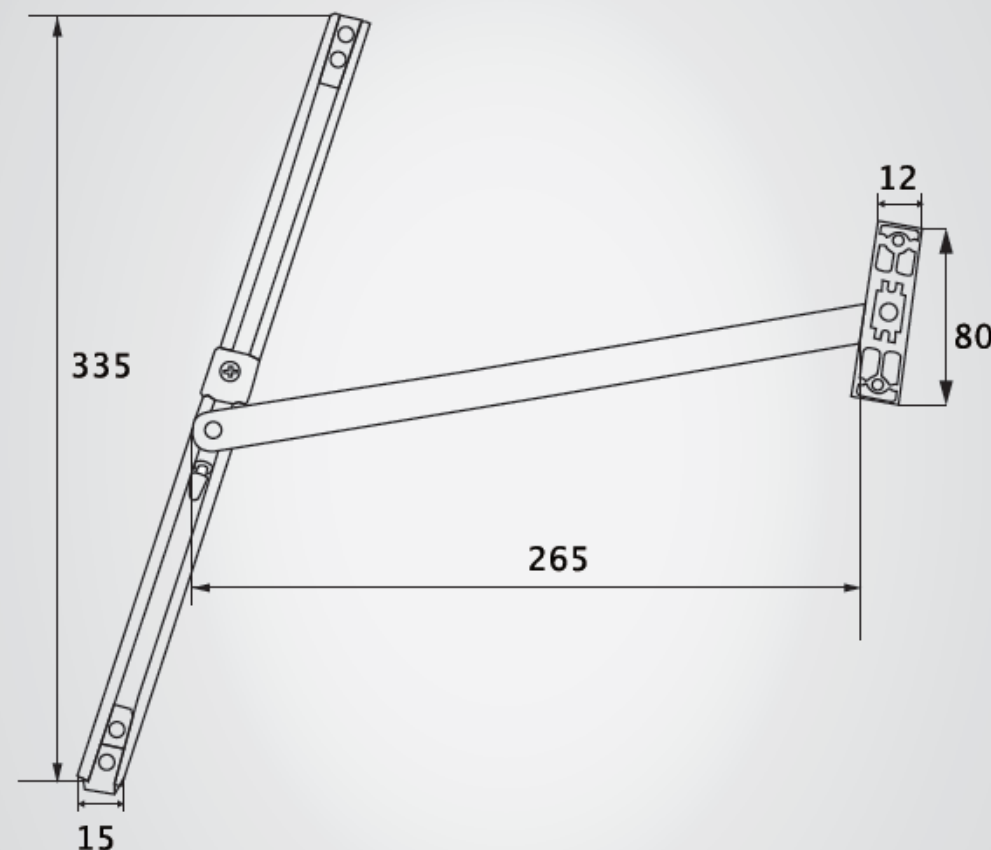
FEATURES & BENEFITS

- Friction level is easily adjustable
- Arm easily disconnectable should it be necessary to open the door or window fully.
- All materials used are durable and non-corrosive
- Restrictor arm supplied in SUS 430 stainless steel
- Packaged in 50 per box



HOLD-OPEN DOOR RESTRICTOR

Designed to locate and operate in a standard PVC-u, Aluminium and Timber euro groove, the Vita hold open door restrictor clicks into position to secure the door at 90°, with ease of disengagement by hand. With adjustment of the friction brake achieved through the use of a No2 Posi-drive screwdriver. The main arm manufactured from SUS 430 Stainless steel as standard.



Manufactured from SUS 430 stainless steel as standard (BS EN 1670:2007 Grade 3), with the option of SUS Austenitic 304 stainless for coastal locations.

*Please note that the hold facility is robust but is not designed to cope in strong wind conditions.