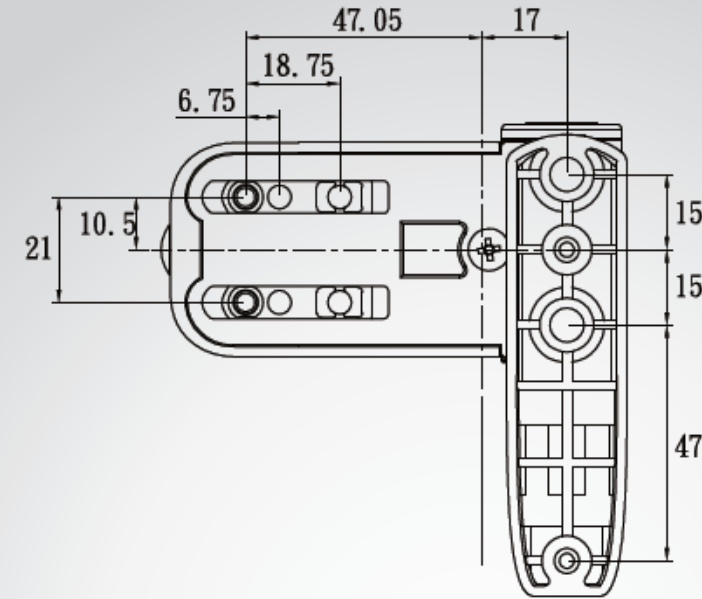




FEATURES & BENEFITS

- Full 3-D adjustability with a standard Allen key (Lateral Adjustment ± 5 mm, Height Adjustment $+5$ mm, Compression Adjustment ± 2 mm)
- Sash Max. Load: 100kg
- Covers sash rebates from 14mm to 23mm, without the use of plastic packers
- Standard frame parts: 16mm and 21mm
- Plastic shoe packer and additional flat packers available for a greater range of applications
- Packaged as 1 per box, 30 boxes per carton



3D JIG



3D FLAG HINGE FH 090

The Claymore 3D adjustable flag hinge was developed to facilitate the optimum fix to modern PVC-u door profiles. This second generation hinge evolved from the original KFH range, retaining its strong characteristics with the added advantage of a soft sculptured shape that enhances the overall appearance of any door when fitted to modern ovulo decorative profiles.

CLAYMORE

FH jig providing fast accurate drilling method

Colour	Coating Type	BS EN 1670 : 2007
White	Powder Coat	Grade 5(480 hours)
Black	Powder Coat	Grade 5(480 hours)
Brown	Powder Coat	Grade 5(480 hours)
Caramel	Powder Coat	Grade 5(480 hours)
Polished Gold	Physical Vapour Deposition	Grade 5(480 hours)
Polished Chrome	Physical Vapour Deposition	Grade 5(480 hours)
Polished Chrome	Electro-Plating	Grade 4 (240hours)
Smoked Chrome	Physical Vapour Deposition	Grade 5(480 hours)
Satin Silver	Physical Vapour Deposition	Grade 4(240 hours)

AVAILABLE COLOURS

- White
- Black
- Brown
- Caramel
- Polished Gold PVD
- Polished Chrome PVD
- Polished Chrome
- Smoked Chrome PVD
- Satin Silver PVD