



## FEATURES & BENEFITS

- Tilt first facility, two-stage key operation
- Six suited finishes
- Available in locking or non-locking variants
- Colour co-ordinated screw covers
- One key type for all tilt & turn and casement window handles
- Profile specific spindle lengths
- Suitable for use with tilt and turn gearing, various espagnolette bolts and shootbolt mechanisms
- Suitable for use on PVC-u, Aluminum and Timber windows
- Packaged as 10 per box, 6 boxes per carton

TILT FIRST  
WINDOW  
HANDLE  
NB 119

The Claymore tilt first (tbt) window handle was developed to cater for the needs of both domestic and commercial tilt & turn applications.

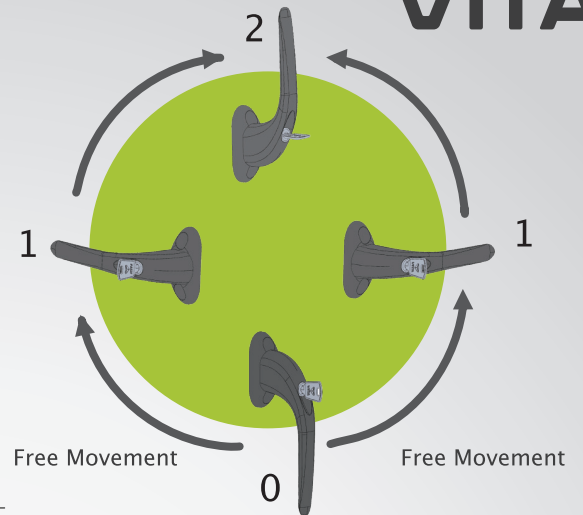
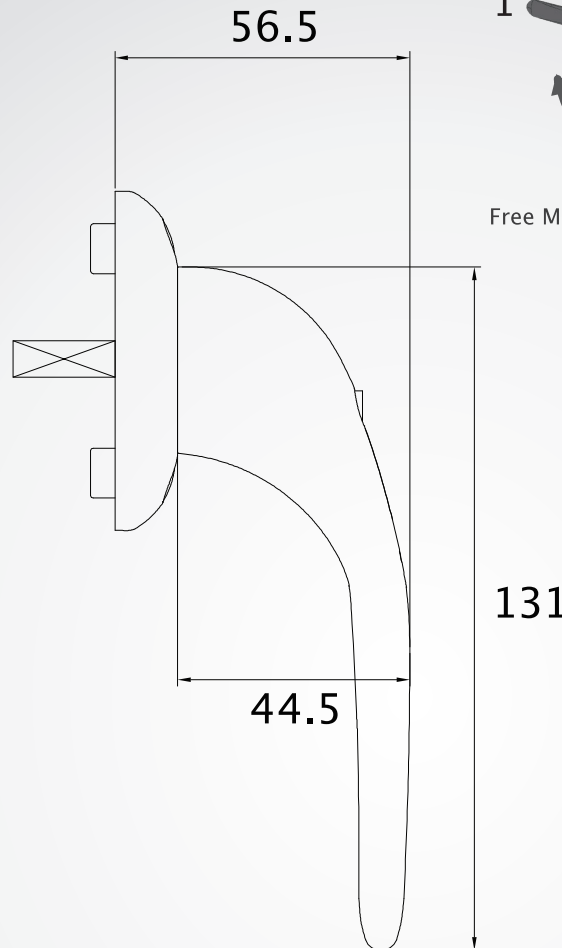
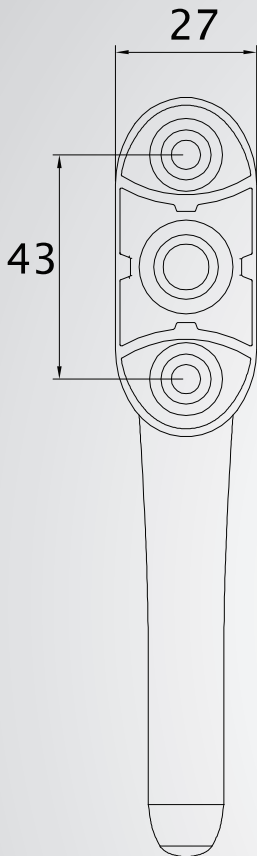
This is achieved with a two-stage key operation which offers a tilt only facility to control ventilation, along with a fully locked position.

**CLAYMORE**

Fitted to Last



VITA



**Zero Position:**  
Fully locked in closed position

**Key stage 1:**  
Tilt only mode for ventilation

**Key stage 2:**  
Fully unlocked in turn mode



Colour	Coating Type	BS EN 1670 : 2007
White	Powder Coat	Grade 5 (480 hours)
Black	Powder Coat	Grade 5 (480 hours)
Polished Gold	Electrophoretic Lacquer	Grade 4 (240 hours)
Polished Chrome	Electro-Plating	Grade 4 (240 hours)
Smoked Chrome	Electro-Plating	Grade 4 (240 hours)
Satin Silver	Electro-Plating	Grade 4 (240 hours)

AVAILABLE COLOURS

- White
- Black
- Polished Gold
- Polished Chrome
- Smoked Chrome
- Satin Silver

Product Code	Product Type	Available Spindles
HB 119K	Locking	30, 35, 43
HB 119P	Non-locking	