



FEATURES & BENEFITS

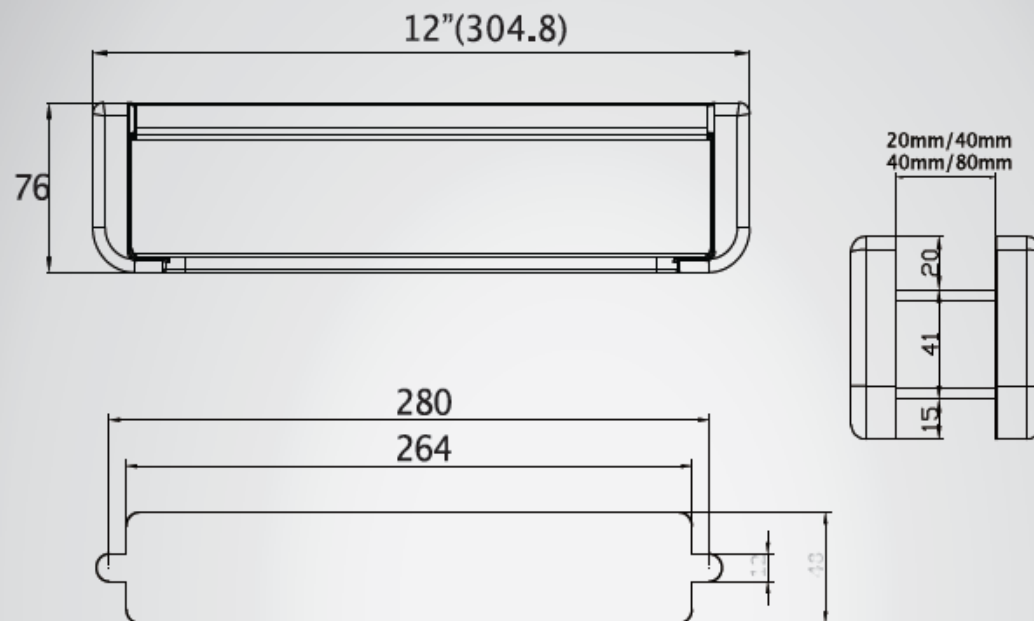
- Suitable for use on PVC-u, Composite and Timber doors
- All letterplates supplied with 2 x M5 fixing screws
- Standard product suitable for internal/face fix applications
- Available in two variants to cover midrail and panel applications
- Four-sided external flap seal fitted, in conjunction with brush pile draught excluder
- External and internal flaps open to 180 degrees for optimum access
- 12", accepting full A4-sized mail, aperture size conforming to BS EN 13724:2002
- Packaged as 1 per box, 16 boxes per carton



KPLP ZINC FRAMED LETTERPLATE

Strong, but elegant in style, the Claymore letterplate is very suitable for fitting to high quality composite and timber doors. The flaps and main body manufactured exclusively from precision Zinc Alloy Die-castings, offer a stable base material for high performance coatings, such as PVD.

CLAYMORE



Colour	Coating Type	BS EN 1670 : 2007
White	Powder Coat	Grade 5 (480 hours)
Black	Powder Coat	Grade 5 (480 hours)
Polished Gold	Physical Vapour Deposition	Grade 5 (480 hours)
Polished Chrome	Physical Vapour Deposition	Grade 5 (480 hours)
Polished Chrome	Electro-Plating	Grade 4 (240 hours)
Smoked Chrome	Physical Vapour Deposition	Grade 5 (480 hours)
Satin Silver	Physical Vapour Deposition	Grade 4 (240 hours)

AVAILABLE COLOURS

- White
- Black
- Polished Gold PVD
- Polished Chrome PVD
- Polished Chrome
- Smoked Chrome PVD
- Satin Silver PVD

Product	Letterplate Size	Accessories
KPLP 2040	12 inch	2*M5 25mm/45mm screws for door panels up to 38mm
KPLP 4080	12 inch	2*M5 45mm/70mm screws for mid rails up to 78mm