

Fitted to Last



FEATURES & BENEFITS

- Designed to meet the requirements of PAS 24
- Tested in accordance to BBA
- Suitable for eurogroove applications
- Available in four croppable standard sizes for ease of stocking
- Suitable for sash rebates 344 to 1500mm
- Fully adjustable mushroom cams +/-1mm
- One-piece corner keep for greater security
- Extensive range of profile specific night vent keeps available
- Packaged as 10 per box, 3, 5 or 10 boxes per carton depending on Espagnolette size

Fittings for Windows 11

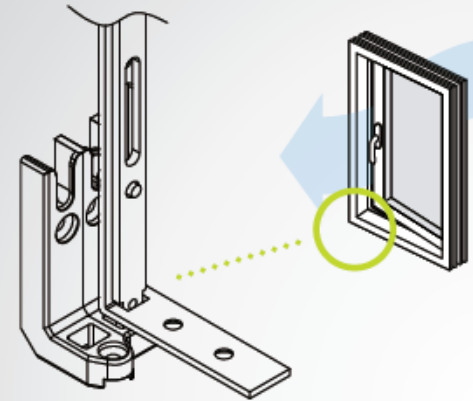
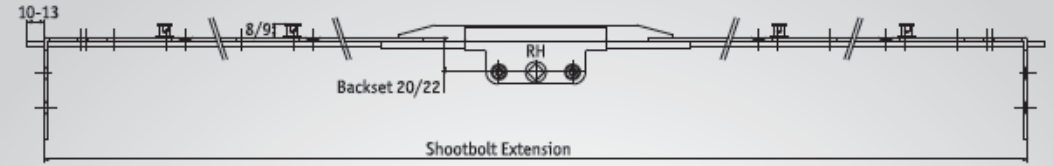


SHOOTBOLT LOCKING SYSTEM

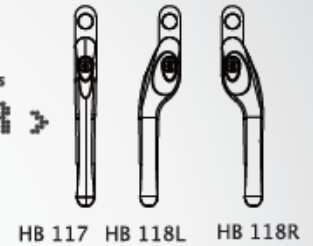
Vita's high security bi-directional shootbolt locking system simultaneously inserts two corner drives into security keeps.

With the additional aid of conventional mushrooms for gasket compression and security, the SBR is the safest choice for fabricator and user alike.

Fitted to Last



SEBseries
FOR



Fittings for Windows 12

Silver Trivalent coating to BS EN 1670:2007 Grade 3
BBA Assessment Report Number S2/49995



Product Code	Description	Application Sash Rebate (mm)	Backset (mm)	Mushroom Height (mm)
SGB 20-S	gear box		20	
SGB 22-S	gear box		22	
Product Code	Description	Application Sash Rebate (mm)	Backset (mm)	Mushroom Height (mm)
SBR 34-S	extension	344 - 540		
SBR 48M8-S	extension	428 - 800		8
SBR 48M9-S	extension	428 - 800		9
SBR 812M8-S	extension	800 - 1200		8
SBR 812M9-S	extension	800 - 1200		9
SBR 1215M8-S	extension	1200 - 1500		8
SBR 1215M9-S	extension	1200 - 1500		9